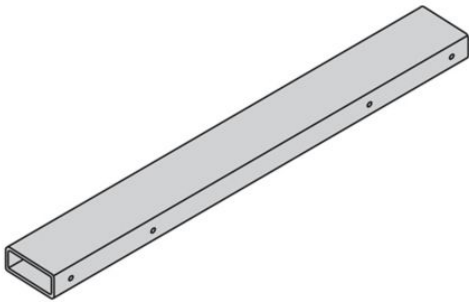


Eaton SB592419X1TG

Catalog Number: SB592419X1TG

Eaton B-Line series open frame racks, Steel, (4) #12-24 Bolts and nuts, Telco gray powder coat, Bumper rail extension - network bay

General specifications



Product Name	Catalog Number
Eaton B-Line series open frame racks	SB592419X1TG
UPC	Product Length/Depth
799038258827	1 in
Product Height	Product Width
1 in	19.88 in
Product Weight	Certifications
3.13 lb	Not Applicable

Product specifications

Model

Bumper rail extension - network bay

Material

Steel

Finish

Telco gray powder coat

Resources

Brochures

[RCM and RCM+ brochure](#)

Specifications and datasheets

[Eaton Specification Sheet - SB592419X1TG](#)



Eaton Corporation plc
Eaton House
30 Pembroke Road
Dublin 4, Ireland
Eaton.com
© 2023 Eaton. All Rights Reserved.

Eaton is a registered trademark.

All other trademarks are property of their respective owners.



[Eaton.com/socialmedia](https://www.eaton.com/socialmedia)